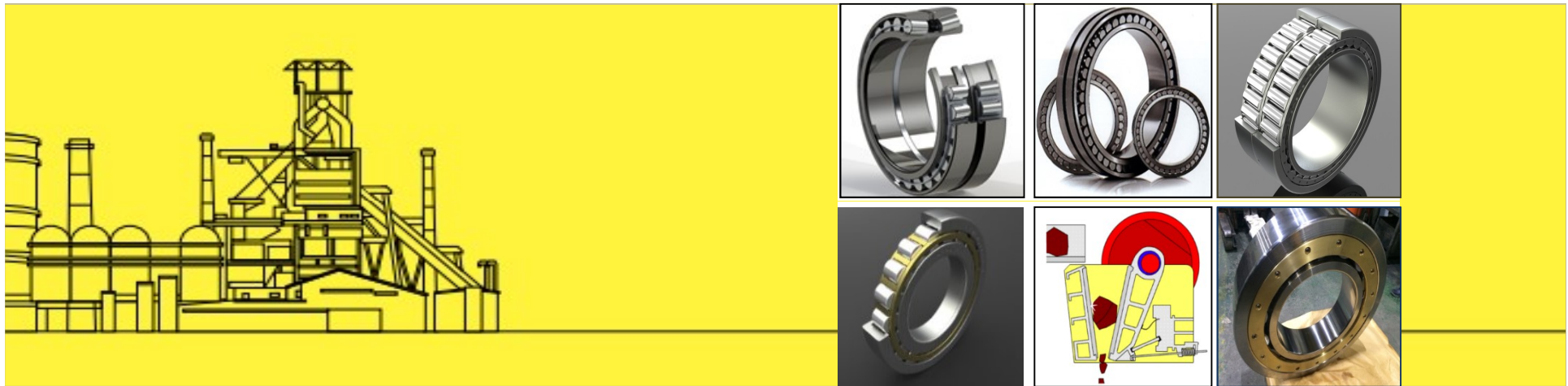


HKT160625 EN

HKT Bearings for Mining & Cement Plants



HKT Bearings Ltd.

HKT BEARINGS LIMITED

AZBTM

www.hktbearings.com

Korea

Company Introduction

HKT Bearings Limited was established in 1988 as a bearing manufacturer of POSCO in Korea, who is one of the biggest steel plant in the world.

We started to supply split center bearing and spring bearing to POSCO continuous casters and expanded our product range step by step.

Now we are supplying bearings to more than 20 countries, to various industries, for lots of applications.

We do all process in our own site (engineering, design, turning, manufacturing inc. heat treatment, grinding, inspection) with our own quality assurance system.

We do promise you HKT's superior quality and service and we will keep moving on to be a better partner of you.



Innovation & Customer Satisfaction



HKT Large size roller bearings for Mining plants



Mining machinery

- **Open pit :**
 - Dump truck
 - Bucket wheel excavator
- **Underground :**
 - Main hoist
 - Coal extracting

Crushing/Screening

- Vibrating screen
- Cone crusher
- Jaw crusher

Processing

- SAG/AG mill
- Ball/tube mill
- Roller press

Material handling

- Belt conveyor
- Stacker/re-claimer (bucket wheel.. etc.)

HKT Supply products :

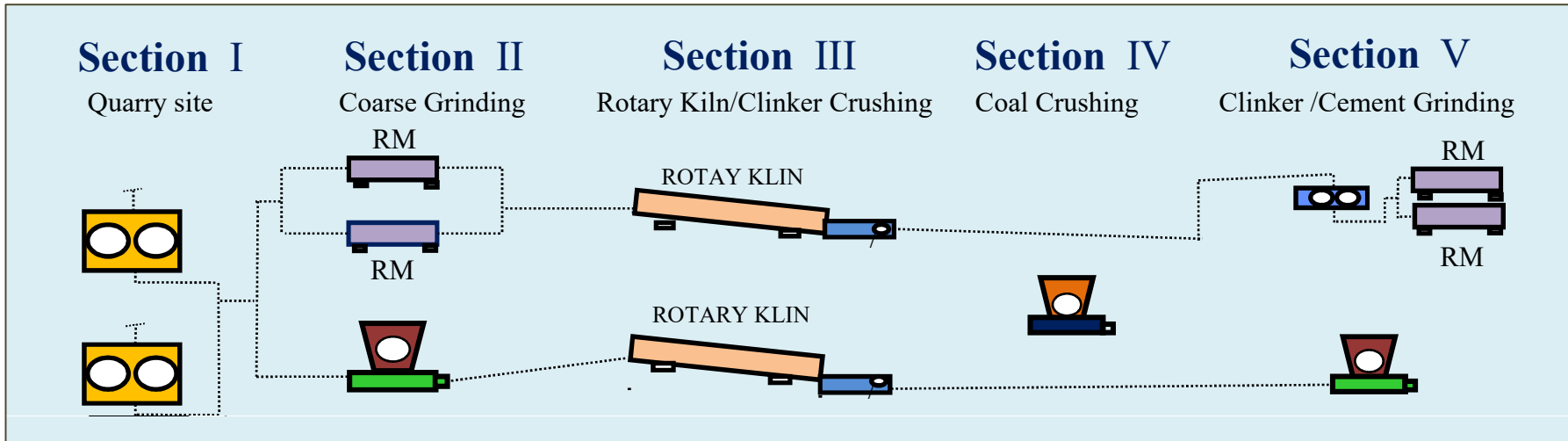
- Spherical roller Bearings
- Tapered roller Bearings
- Thrust Ball Bearings
- Split Roller Bearings

- Spherical roller Bearings
- Cylindrical roller Bearings
- Double/Single Tapered roller Bearings
- Thrust Ball Bearings

- Spherical roller Bearings
- Cylindrical roller bearings
- Double & Single Tapered Roller Bearings
- Multi-row Cylindrical roller
- Split roller Bearings

- Spherical roller bearings
- Cylindrical roller bearings
- DTRB & STRB
- Deep Grooved Ball Bearings
- Split Roller Bearings

HKT Large size roller bearings for Cement plants



Primary Crushing	Raw Milling / Coarse Grinding	Clinker production/ Calcinations	Cement Milling
<ul style="list-style-type: none"> • Jaw Crusher • Hammer Crusher • Cone Crusher • V. Screen 	<ul style="list-style-type: none"> • Vertical Mill • Ball Mill 	<ul style="list-style-type: none"> • Rotary Kiln • Coal Pulverizing • Coal Mill 	<ul style="list-style-type: none"> • Roller Press • Vertical Mill • Ball Mill

HKT Supply products :

- SRB	-LSRB	-LSRB	-LSRB
- TRB	-LCRB	-LCRB	-LCRB
- THBB	-DTRB & STRB	-DTRB & STRB	-DTRB & STRB
	-Multi-row CRB	-Multi-row CRB	-Multi-row CRB

Application fields for HKT Products

HKT Split Roller Bearings

Applications

- Bucket wheel excavators and reclaimers
- Winch drums and rope sheaves
- Screw conveyors
- Bucket elevators and conveying belts
- Mixers and stirrers
- Mills and crushers
- Sinter plants and rotary kilns
- Fans and blowers
- Dedusting equipment
- Drive and line shafts



Bearing arrangements in comminution and processing plant



Drive bearing arrangements in conveying and transport equipment



Application fields for HKT Products

Example : Pallet Car Bearings for Sinter & Pellet Plants

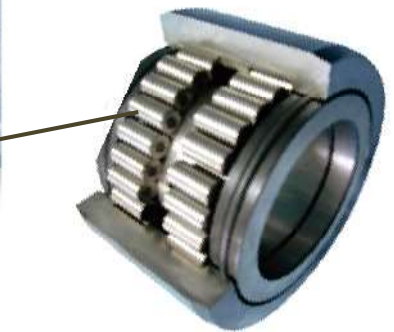
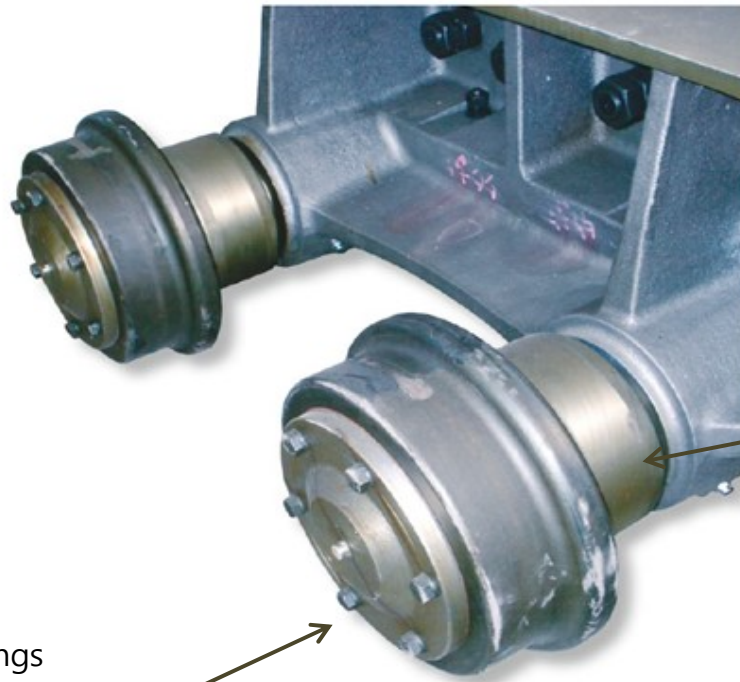


Matched Tapered Roller Bearings



Double row Tapered Roller Bearings

HKT Pallet wheel Bearings set



HKT PRB series
(pressure Roller Bearings)

HKT Pallet Car Bearings has been used for Pallet in Sinter & Pellet plants.

Application fields for HKT Products

Example : HKT Vertical Grinding Mill Bearings for Lafarge - Halla Cement in Korea

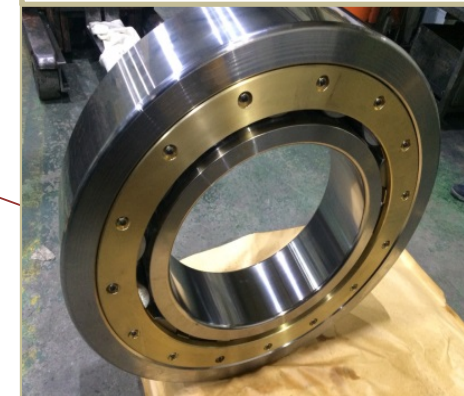
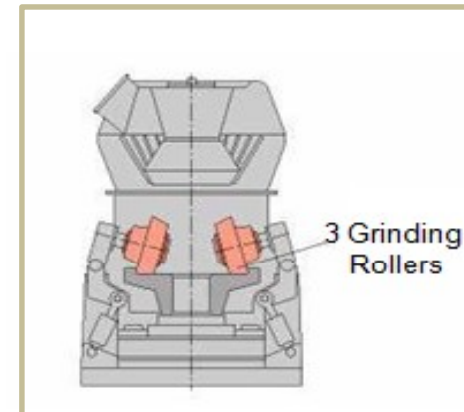
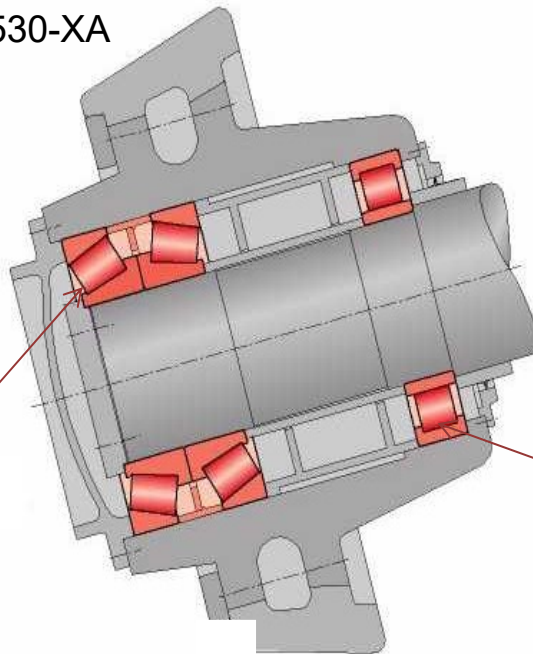
Bearings per vertical grinding roller :

1pc - Tapered Roller Bearing Unit
: HKT_DTRB 560/1080X530-XA
(560 x 1080 x 530 mm)

1pc - Cylindrical Roller Bearing
: HKT_NU12/560MA
(560 x 1030 x 206 mm)



HKT_DTRB560/1080X530-XA



HKT_NU12/560MA

Application fields for HKT Products

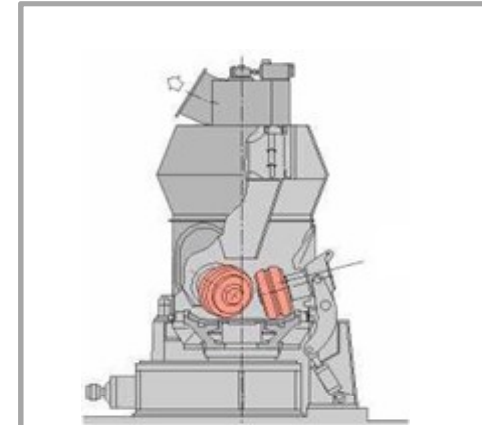
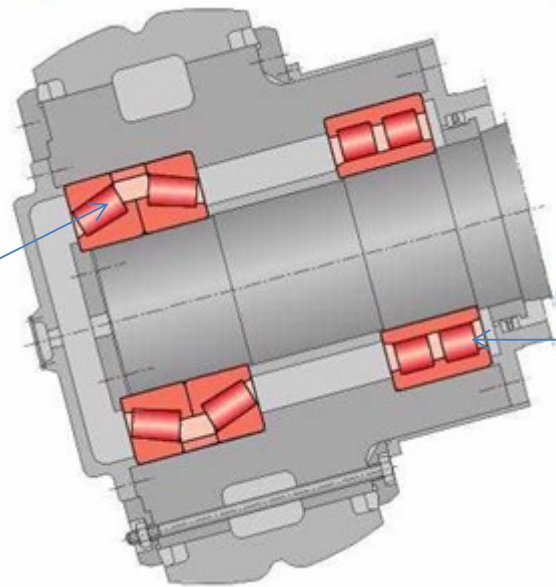
Example: HKT Bearings for Grinding Roller

1pc - Tapered Roller Bearing, Matched
: HKT_DTRB 420/800X370XA
(420 x 800 x 370 mm)

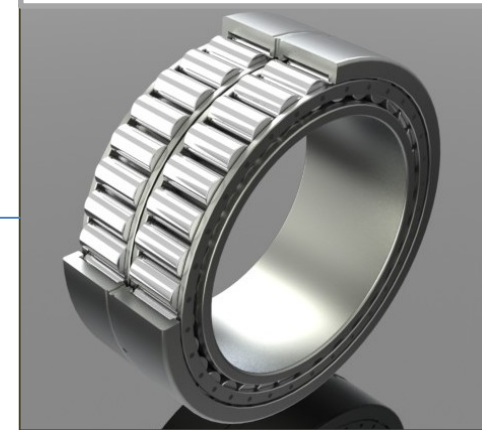
1pc - Cylindrical Roller Bearing
: HKT_DCRB 440/780X270
(440 x 780 x 270 mm)



Double Tapered Roller Bearings



4 Grinding rollers



Double Cylindrical Roller Bearings

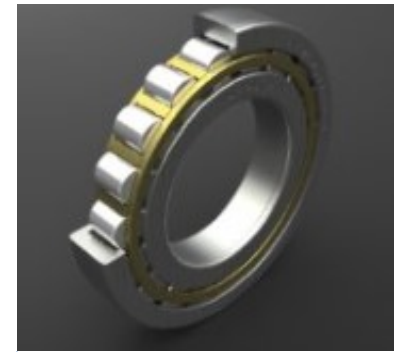
Application fields for HKT Products

Example: HKT Bearings for Grinding Mill & Grinding Machine

3pcs - Spherical roller bearing : HKT_ 241/630CAMBK30W33XS1
(630 x 1030 x 400 mm)

3pcs - Withdrawal sleeve : AOH 241/630
(600 x 650 x 450 mm)

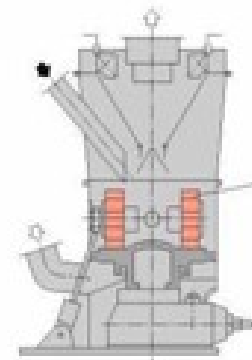
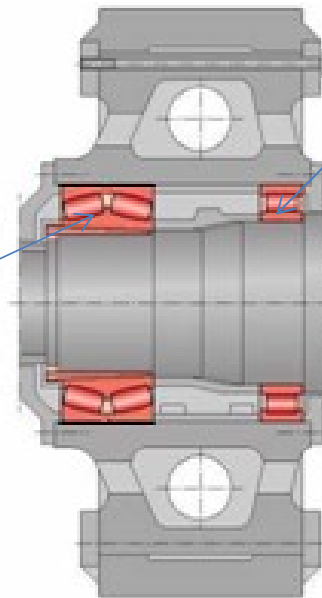
3pcs - Cylindrical roller bearing : HKT_ NU20/710MA
(710 x 1030 x 185 mm)



Cylindrical Roller Bearings



Large size Spherical Roller Bearings



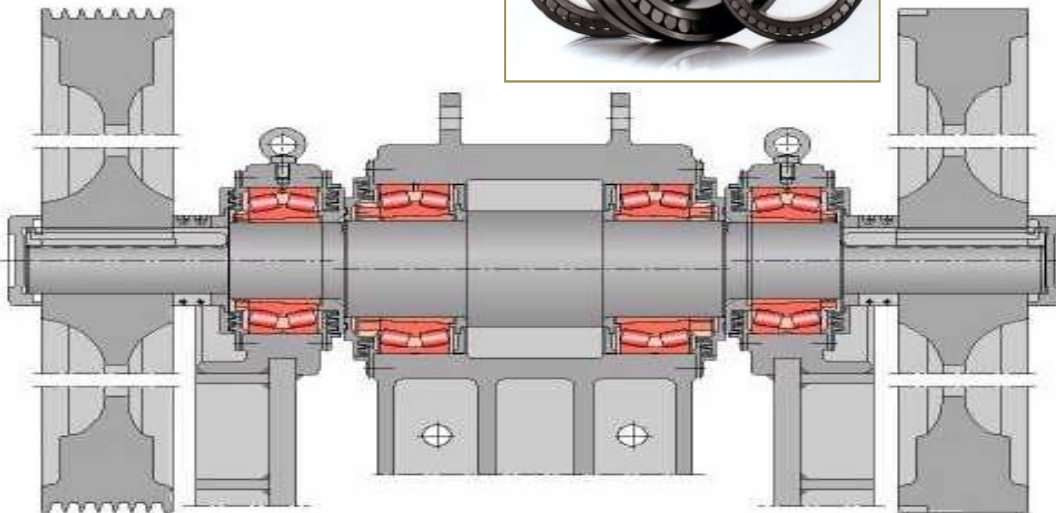
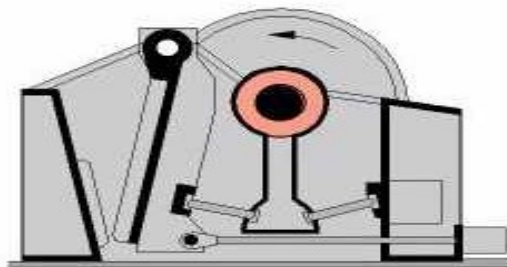
3 Grinding
Rollers

Application fields for HKT Products

Example: HKT bearings for Double Toggle jaw crusher

Inner bearing: 2pcs - Spherical roller bearing HKT 23168KMBW33S1 (340 / 500 x 190 mm)
Adapter sleeve H3168HG
Outer bearing: 2pcs - Spherical roller bearing HKT 23256KMBW33S1 (280 / 500 x 176 mm)
Adapter sleeve H2356XHG

HKT Large size Spherical Roller Bearings
With adapter sleeve



Application fields for HKT Products

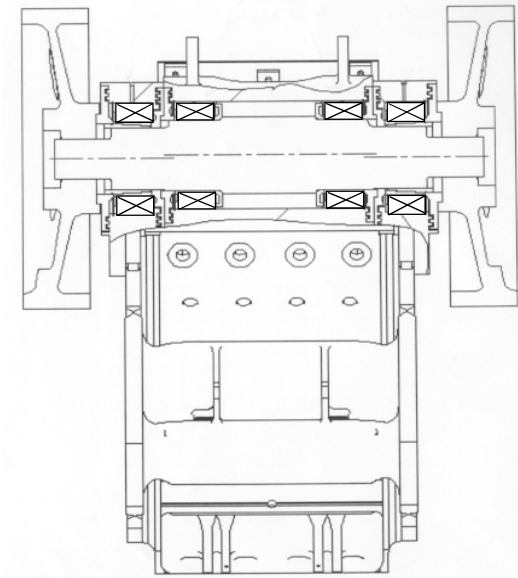
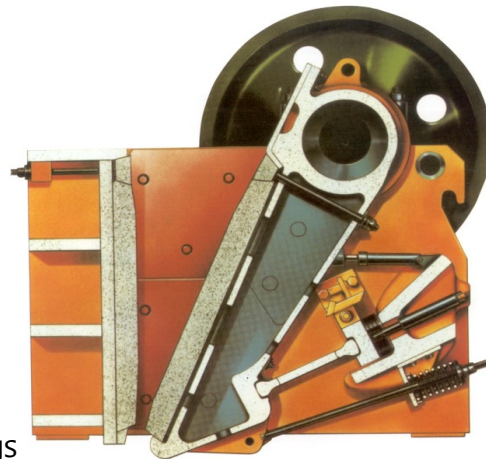
Example: HKT Bearings for Jaw Crusher

Jaw Stock Bearing: 2pcs - Spherical roller bearing HKT 24068MBW33S1C3
(340 x 520 x 180 mm)

Main Frame Bearing: 2pcs - Spherical roller bearing HKT 23164KMBW33S1C3
(320 x 540 x 176 mm)
Withdrawal sleeve AH3164



HKT Large size Spherical Roller Bearings
With Adapter Sleeve

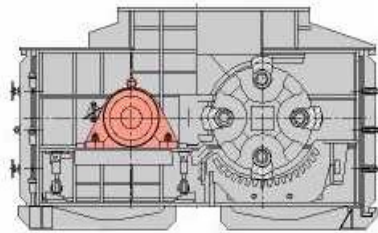


Application fields for HKT Products

Example: HKT Bearings for Hammer Mills



HKT Large size & Heavy
Spherical roller bearings with adapter sleeve

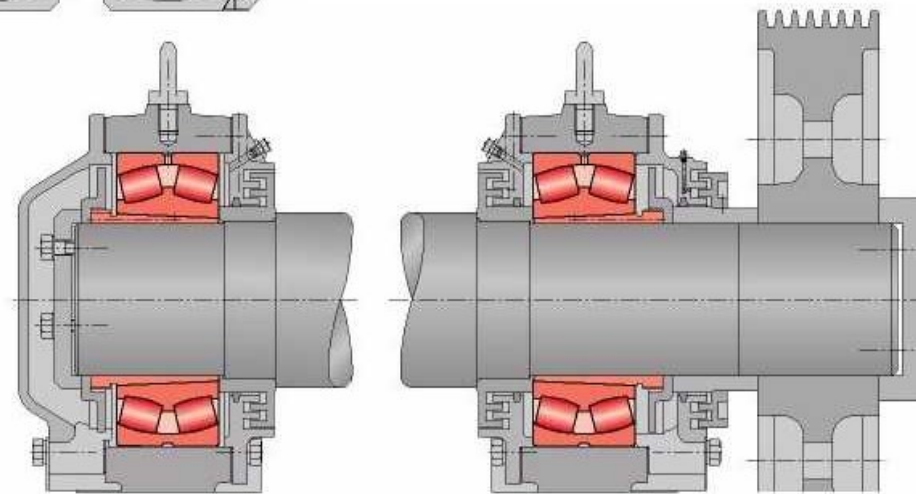


Example: Double shaft-hammer crusher

Housings, bearings and withdrawal sleeves
Per double shaft - hammer crusher

4pcs - Spherical roller bearing 23260CCK.MB
(300 x 540 x 192 mm)

4pcs - Withdrawal sleeve AH3260H



Application fields for HKT Products

Example : HKT bearings for Dump Trucks

Dump trucks Motorized wheels

bearings in planet wheels: e.g. spherical roller bearings

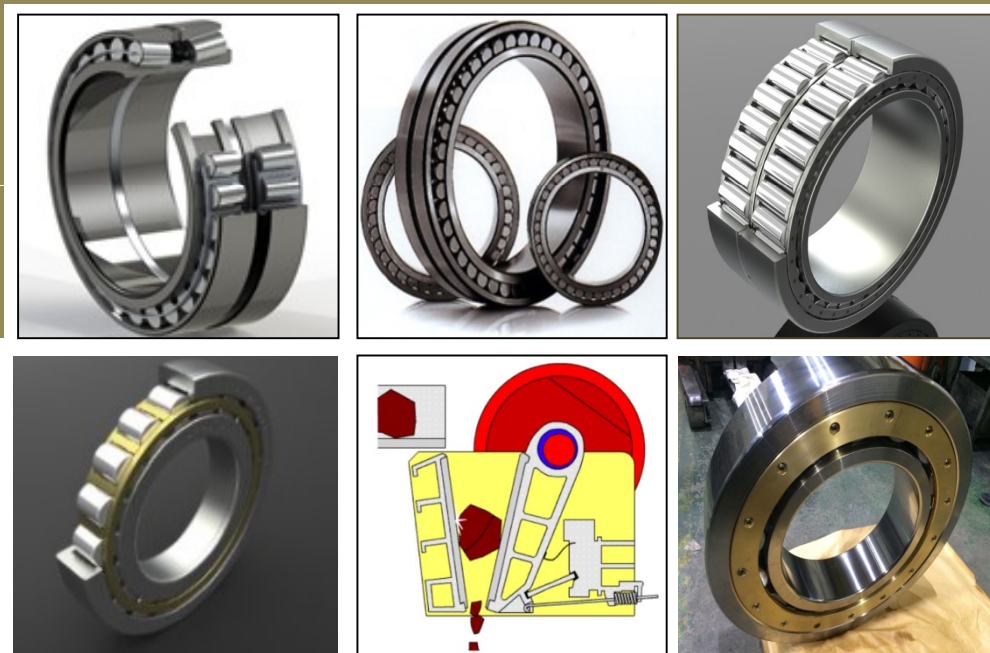
main wheel bearings: e.g. tapered roller bearings in O-arrangement

* HKT Large size Spherical Roller Bearings
With adapter sleeve

* HKT Taper Roller Bearings
- HM252348-310
- M255449-410



HKT Bearings for Mining & Cement Plants



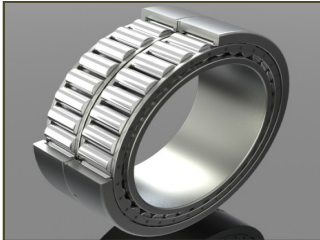
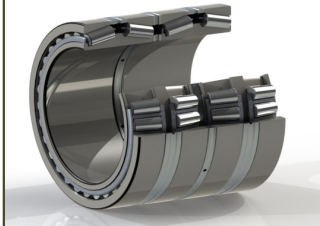
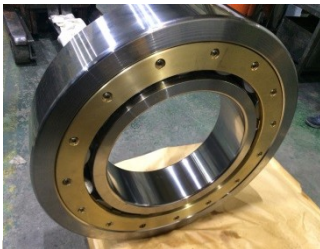
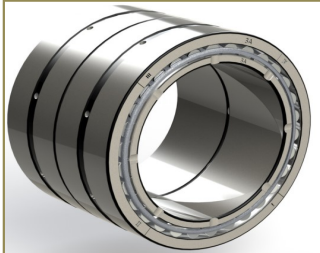


Hard crushing of material-Crusher, Mills, Roller press & Tube mills

Spherical roller bearings

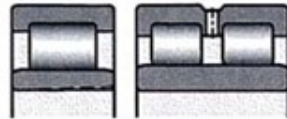


Cone crusher	series 239..	d = 380...460 mm
	230..	d = 460...670 mm
	231..	d = 260...340 mm
	241..	d = 240...380 mm
	232..	d = 280...340 mm
	223..	d = 90...170 mm
Jaw crusher	series 240..	d = 100...600 mm
	231..	d = 100...600 mm
	241..	d = 100...600 mm
	222..	d = 100...600 mm
	232..	d = 100...600 mm
	223..	d = 100...600 mm
Hammer crusher	series 240..	d = 60...600 mm
	231..	d = 60...600 mm
	241..	d = 60...600 mm
	222..	d = 60...600 mm
	232..	d = 60...600 mm
	223..	d = 60...600 mm
Grinding mills	series 241..	d = 110...850 mm
Roller press	series 241..	d = 380...1000 mm
Tube mills	series 238..	d = 1180...2000 mm
	248..	d = 1000...2000 mm
	239..	d = 500...2000 mm
	249..	d = 1000...2000 mm
	230..	d = 380...800 mm



Hard crushing of material-Cone crusher, Grinding mills, Roller press & Tube mills

Cylindrical roller bearings

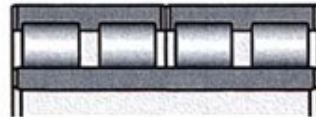


Cone crusher	series NU10..M1.C4	d = 560 mm
	NU19..M.C4	d = 850 mm
	NU29..M.C4	d = 1060...1180 mm
	NU22..E.M1.C3	d = 200...220 mm
	NU23..E.M1	d = 85...140 mm

Grinding mills	series NU20..	d = 480...800 mm
	NU31..	d = 260...500 mm
	NU22..	d = 200...500 mm
	NNU41..	d = 240...850 mm

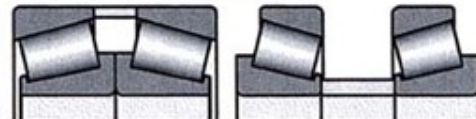
Tube mills	d = 1060...1180 mm
-------------------	--------------------

Multi row cylindrical roller bearings



Roller press	d = 280...850 mm
---------------------	------------------

Tapered roller bearings



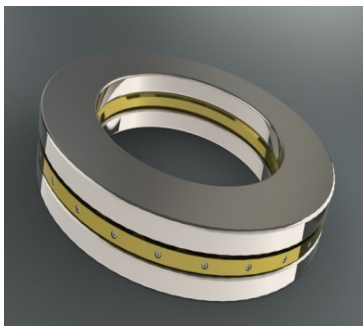
Grinding mills	d = 100...700 mm
-----------------------	------------------

Tapered roller bearings

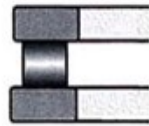


Cone crusher	d = 230...660 mm
---------------------	------------------

HKT Bearings in Cone Crusher



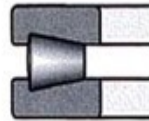
Cylindrical roller thrust bearings



Cone crusher

d = 150...940 mm

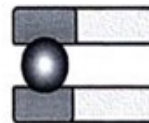
Tapered roller thrust bearings



Cone crusher

d = 560...850 mm

Thrust ball bearings



Cone crusher

series 511..MP



d = 300...600 mm

Reference List

End users	Machine Builder	Region	Application	Supply description
Lafarge Halla Cement	FL-Smidth	Korea	csu/conveyors	100M60BXHXG 100M70BHG
Asia Cement	MHI	Korea	csu/conveyors	200M300BXIGHXS 200M300BRHRS
Tongyang Cement	MHI	Korea	csu/conveyors	100M170BRHRS 100M170BXHXS 200E800BX 200E800BR 200E800ATL
Ssangyong Cement	MHI	Korea	csu/conveyors	200M180BXHX-special(seal excluded) 200M200BX 200M200BR 200M200HR 200M200HX
Lucky Cement	FL-Smidth	Pakistan	csu/conveyors	
DVC-Meja	Elecon Engineering	India	RMHS (Raw Material Handling System)	SPLW22232KKBX,KBR+SNH532-TS SPLW22240KKBX,KBR+SD540-TS SPLW22236KKBX,KBR+SD536-TS SPLW22224KKBX,KBR+SNH524-TS SPLW22228KKBX,KBR+SNH528-TS SPLW22220KKBX,KBR+SNH520-TS SPLW22234KKBX,KBR+SD534-TS SPLW22240KKBX,KBR+SD540-TS
Chandrapur TPS	BGR Energy System	India	RMHS	SPLW22236KKBX,KBR+SD536-TS SPLW22234KKBX,KBR+SD534-TS SPLW22232KKBX,KBR+SN532 SPLW22220KKBX,KBR+SN520
Satpura TPS	Monally Bharat	India	Bucket Wheel	200M300BRHRS 200M180BXHXS
Lapanga Pulleys	ThyssenKrupp Ind.	India	RMHS	SPLW23028KKBX,KBR+SN3028 SPLW23034KKBX,KBR+SD3034
Satpura TPS	Monally Bharat	India	RMHS	100M100BRHRS 100M100BXHXS 100M125BRHRS 100M125BXHXS 100M140BRHRS 100M140BXHXS 100M160BRHRS 100M160BXHXS 100M180BRHRS 100M180BXHXS 100M200BRHRS 100M200BXHXS 100M220BRHRS 100M220BXHXS 100M240BRHRS 100M240BXHXS 100M200BRHRS 100M200BXHXS
			Rotary breaker, Apron Feeder	SPLW22228KKBX,KBR+SNH528-TS SPLW23136KKBX,KBR+SD3136TS SPLW23156KKBX,KBR+SD3156TS

End users	Machine Builder	Region	Application	Supply description
Adani Power Pajasthan Ltd.	Energo	India	RMHS-Coal	SPLW22217BX,BR+SN217F SPLW23026KKBX,KBR+SN3026F SPLW23028KKBX,KBR+SN3028F SPLW23036KKBX,KBR+SN3036F SPLW23040KKBX,KBR+SD3040 SPLW23044KKBX,KBR+SN3344F
JP Cement	Larsen & Turbo	India	RMHS	SPLW23132KKBX,KBR SPLW23136KKBX,KBR SPLW23138KKBX,KBR SPLW23148KKBX,KBR
Sagadighi TPS	MBE	India	RMHS	SPLW23040KBRM,KBXM+SD3040TL+BP SPLW23036KBRM,KBXM+SD3036TL+BP SPLW23032KBRM,KBXM+SD3032TL+BP
Tata-KalingNagar(KPO)	FL-Smidth	India	RMHS	SPLW23028KBR,KBX SPLW23036KBR,KBX SPLW23034KBR,KBX SPLW23144KBR,KBX SPLW23134KBR,KBX SPLW23132KBR,KBX SPLW23034KBR+SD3034TS SPLW23034KBR+SD3034TS
MANIKGARH Cement	FL-Smidth	India	RMHS	200M200BR
Visak steel plant	FL-Smidth	India	RMHS	SPLW22224KBR,KBX
Mahan	FL-Smidth	India	RMHS	SPLW22228KBR,KBX+SN528TS
POSCO kwangyang plant	SMH	Korea	Stacker-reclaimer	SPLT240/400X104BR SPLT220/360X92BR
POSCO Pohang plant	SMH (Samsung Material Handling co.Ltd)	Korea	Bucket excavator Stacker-reclaimer	300M220BRHRS 300M220BXHXS SPLT240/400X104BR SPLT220/360X92BR
SNNC	SMH	Korea	Stacker-reclaimer	SPLT240/400X104BR SPLT220/360X92BR
Lafarge Halla Cement	FL-Smidth FL-Smidth Polysius Fuller	Korea	V/M (Vertical Mill) R/M (Raw Mill) C/M	NU12/560MA-LHC DTRB560/1080X470XA(SKF 331952) NU2252MA NU2268MA QJ1252M DTRB320/620X250/284XA(SKF 332952) 231/500CAKW3351C3

HKT'S VALUED CUSTOMERS

 <p>FARGE HALLA CEMEI</p>	 <p>SANGYONG CEMENT</p>	 <p>ASIA CEMENT</p>	 <p>TONGYANG CEMENT</p>	 <p>POSCO</p>	 <p>FL SMIDTH</p>
 <p>POSCO-SNCC</p>	 <p>LUCKY CEMENT</p>	<p>Mejia Thermal Power Station</p> <p>DVC-MEJIA TPS</p>		 <p>CHANDRAPUR TPS</p>	 <p>SATPURA TPS</p>
 <p>Atomic energy</p>	 <p>NLMK INDIANA</p>	 <p>JP CEMENT</p>	 <p>AZARAN MINING</p>	 <p>ADANI TPS</p>	 <p>MAHAN GROUP</p>
 <p>MANIKGARH CEMENT</p>	 <p>TATA-KALINGNAGAR</p>	 <p>MUBARAKE STEEL</p>	 <p>IMIDRO_MINES & MINING</p>	 <p>VIZAG STEEL</p>	 <p>HANIL CEMENT</p>

Thank you !



HKT BEARINGS LIMITED
13-17th April ,2015
Hall 16, Booth D17-14
Hannover, Germany



HKT BEARINGS LIMITED Hall 03, Booth C63

HKT BEARINGS LIMITED

162B-3L NAMDONG INDUSTRIAL COMPLEX 736-6,
GOJAN-DONG, NAMDONG-GU, INCHEON, KOREA
TEL: +82-32-822-7607
FAX: +82-32-865-9164
E-mail: hktbrg01@chol.com
Website: www.hktbearings.com