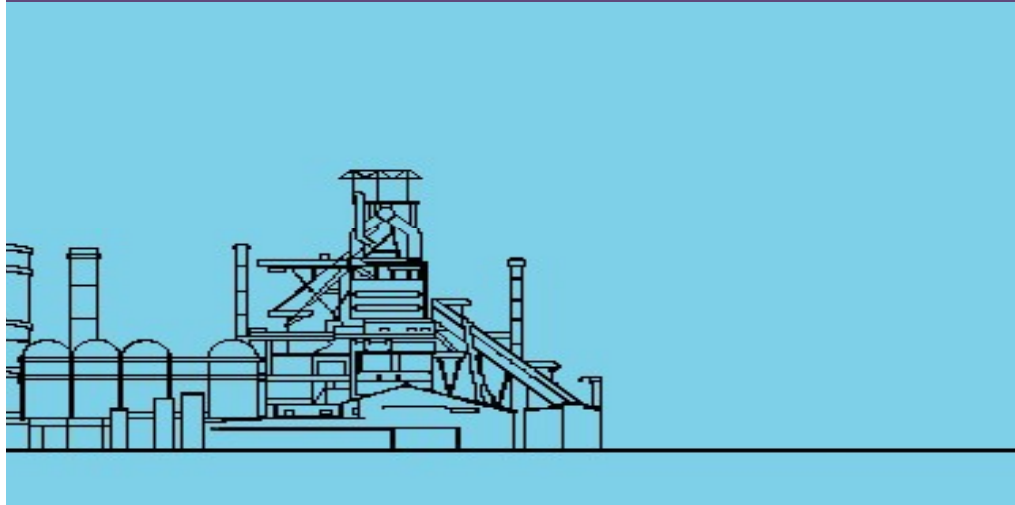


HKT16025 EN

HKT Pallet Car Bearing for Sinter & Pellet Plants



Pressure roller bearings

Pallet wheel bearings



HKT BEARINGS LIMITED

AZB™

www.hktbearings.com

Korea

Company Introduction

HKT Bearings Limited was established in 1988 as a bearing manufacturer of POSCO in Korea, who is one of the biggest steel plant in the world.

We started to supply split center bearing and spring bearing to POSCO continuous casters and expanded our product range step by step.

Now we are supplying bearings to more than 20 countries, to various industries, for lots of applications.

We do all process in our own site (engineering, design, turning, manufacturing inc. heat treatment, grinding, inspection) with our own quality assurance system.

We do promise you HKT's superior quality and service and we will keep moving on to be a better partner of you.

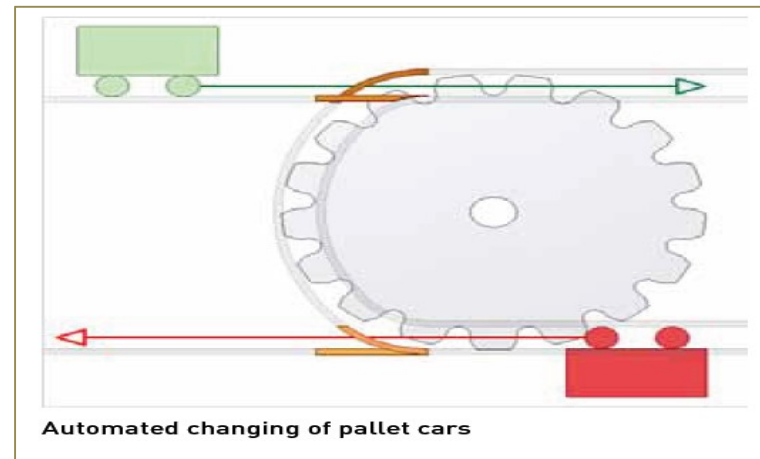
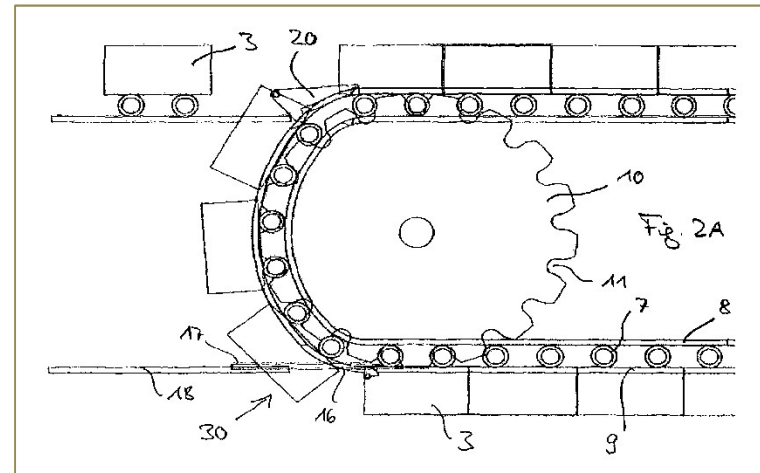


Innovation & Customer Satisfaction



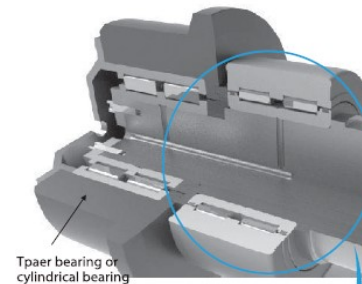
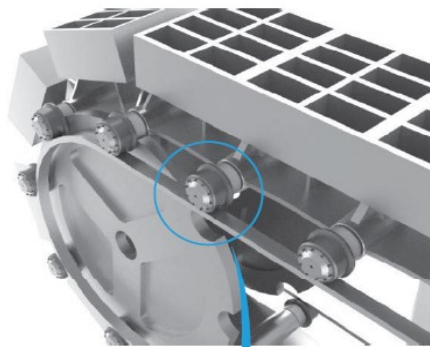
Process for Pellets & Sinter Plant

Plant for the treatment of bulk materials, such as **iron or zinc ore pellets or sinter** material, wherein the **pallet car** (3) are continuously conveyed by means of a lifting wheel (10) and a lowering wheel on rails (8, 9) in an endless chain, an outer curve link (16) of the rail (9) can be opened in the region of a bottom strand of the lifting wheel (10), in order to remove the pallet car (3) from the chain. In the region of the top strand of the lifting wheel (10) an outer curve link (20) of the rail (9) can be opened, in order to insert a new pallet car (3) into the chain. In the region of the bottom strand of the lifting wheel (10) a removal switch (30) is provided, via which a pallet car (3) can be moved out from the chain, while in the region of the top strand of the lifting wheel (10) a supply switch is provided, via which a pallet car (3) can be moved into the chain.



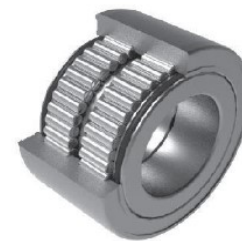
HKT Pallet car Bearing for Sinter & Pellet Plants

Pressure roller bearing PRB series (For pallet cars in sinter plant)



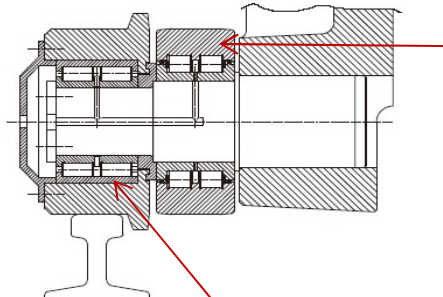
Taper bearing or cylindrical bearing

Pressure roller bearing (PRB)



Components

- Outer ring
- Inner ring
- Roller
- Sealing ring



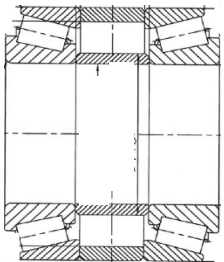
Pressure Roller Bearings

Advantages and special features

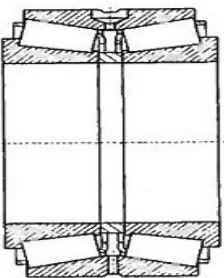
- Reinforced outer ring ensure shock load when pressure roller bearings push gear shaped drive wheels which pull pallet chain.
- Full complement of rollers ensure heavy load.
- Sealing ring with improved design prevents foreign contamination.

Pallet wheel bearings set w/housing

HKT Pallet car Bearing for Sinter & Pellet Plants

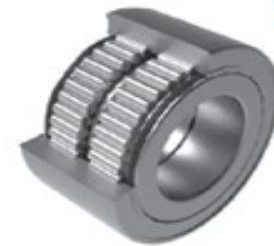
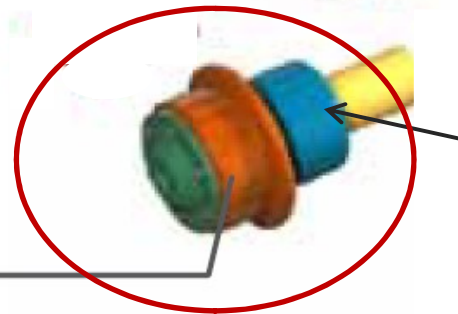


Matched Tapered Roller Bearing
O-Arrangement



Double row Tapered Roller Bearing
O-Arrangement

Track wheels and
Pallet wheel bearings
(MTRB & DTRB)



HKT PRB
(Pressure Roller Bearings)

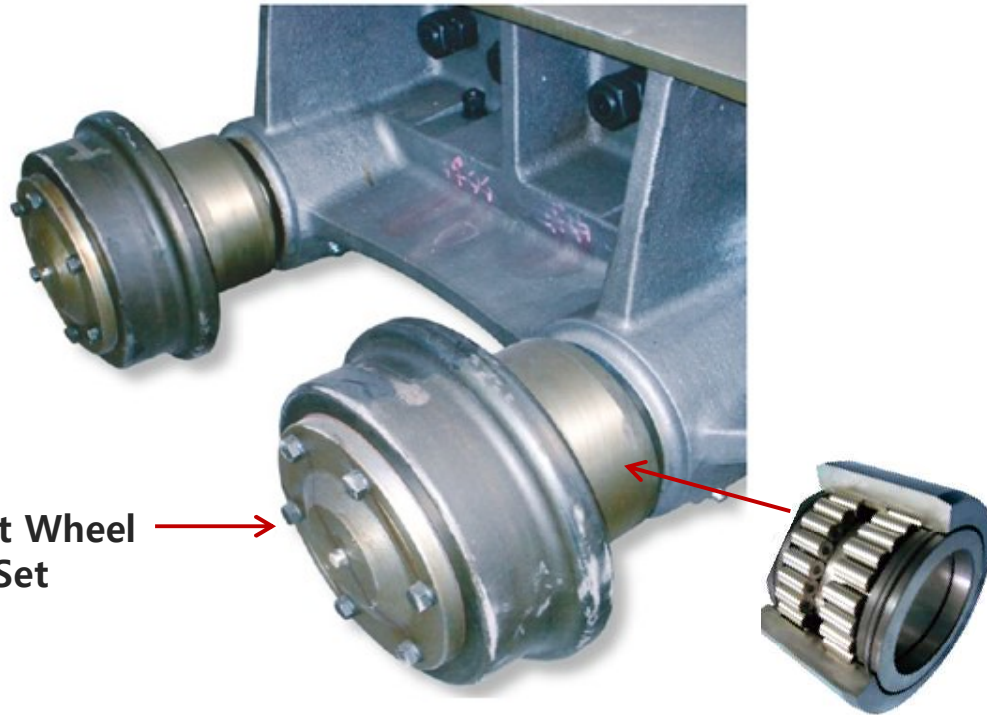
HKT Pallet Car Bearings (wheel bearings + Pressure rollers)



Matched Tapered Roller Bearings



Double row Tapered Roller Bearings



HKT Pallet Wheel Bearings Set

HKT PRB
(Pressure Roller Bearings)

HKT Pallet Car Bearings has been used for Pallet in Sinter & Pellet plants.

HKT Pallet Car Bearings

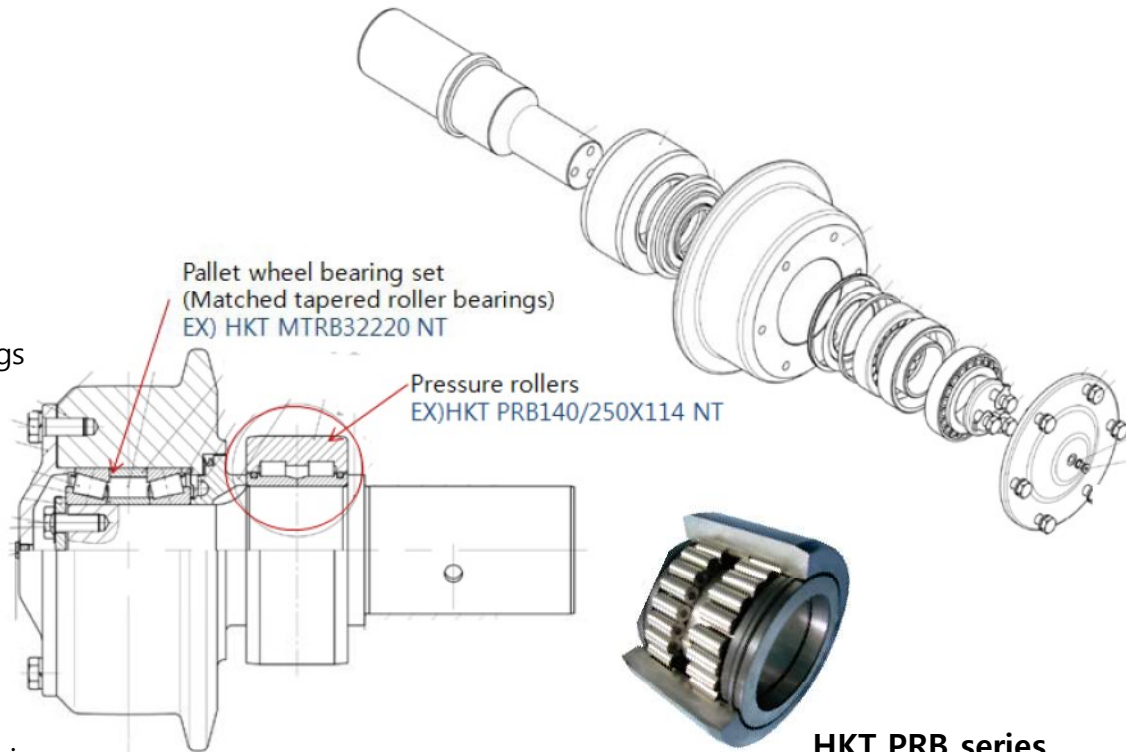
Example : HKT Pallet Car Bearing for Sinter & Pellet Plants



Matched Tapered Roller Bearings



Double row Tapered Roller Bearings



HKT PRB series
(pressure Roller Bearings)

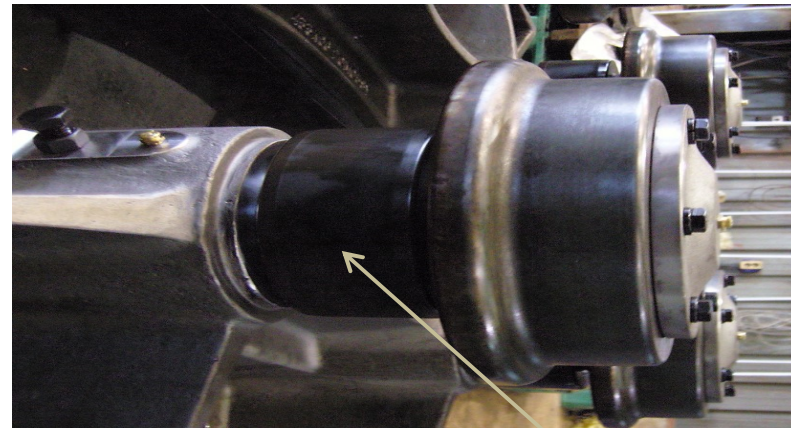
HKT Pallet Wheel Bearings Set

HKT Pallet Car Bearings

Application example : Pressure Roller Bearings for Sinter & Pellets



MSC & IMI DOR in IRAN



Posco in korea



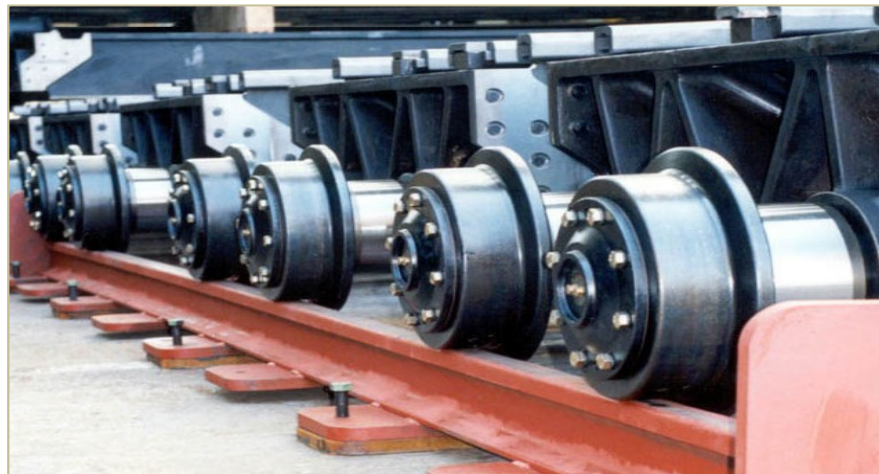
HKT Pressure Roller Bearings

HKT Pallet car bearings

Application example : HKT Pallet Car Bearings for Sinter & Pellets



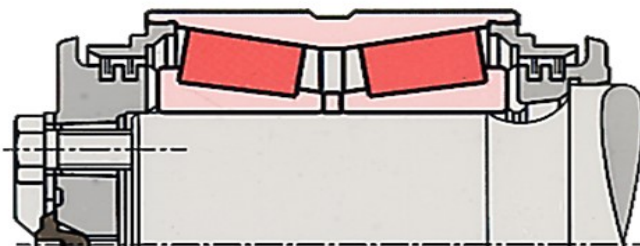
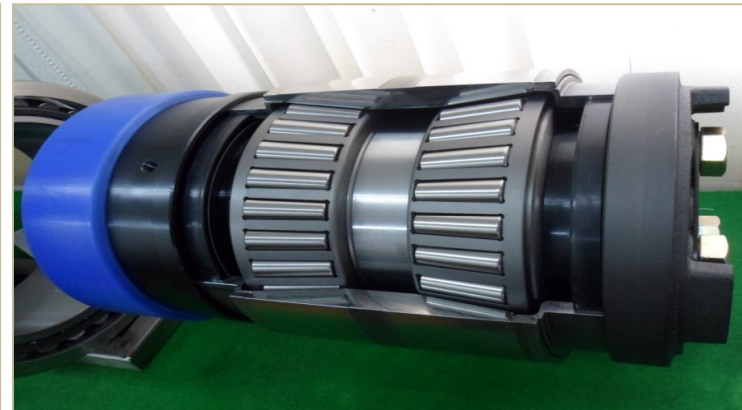
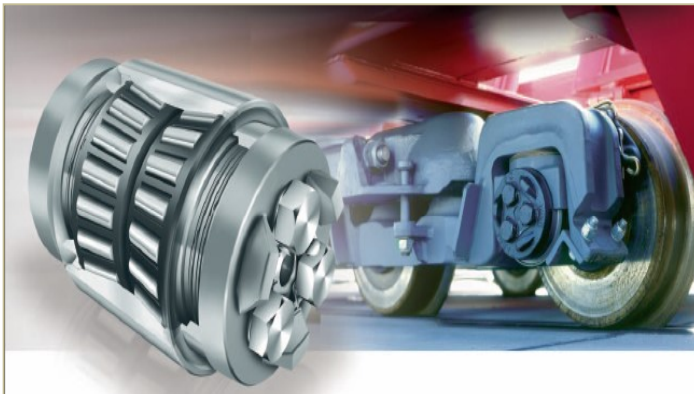
All assembly side part



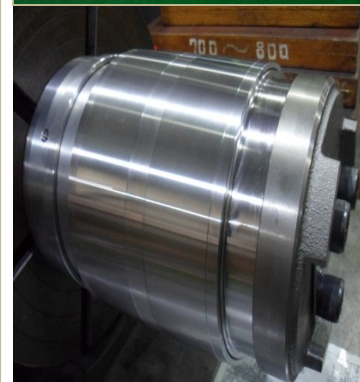
HKT Pallet Car Bearings has been used for Pallet in Sinter & Pellet plants.

HKT Railway bearings

Application example : HKT wheel set bearings for rail vehicles such as goods wagon & passenger carriage

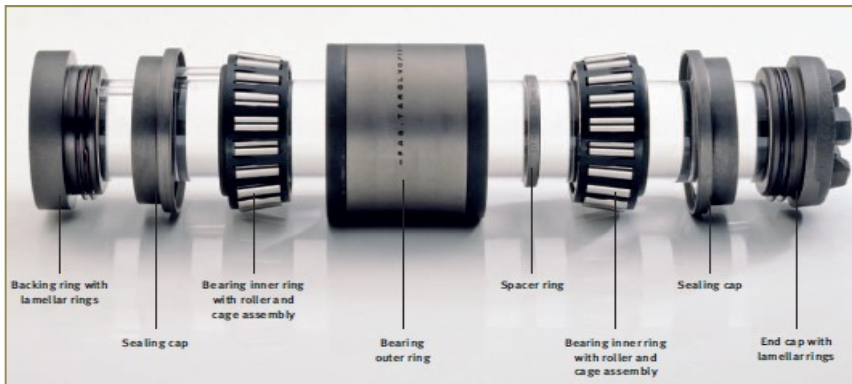


Tapered roller bearing unit



HKT Railway bearings

Application example : HKT wheel set bearings for rail vehicles such as goods wagon & passenger carriage



KRRI IN KOREA



HKT wheel set bearings for Railway Vehicles

HKT PaLlet Car Bearings for Sinter & PeLlet plants



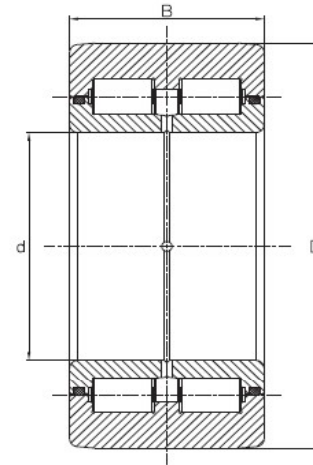
Catalog

Pressure rollers, _ HKT PRB series



Pressure roller bearings

Pallet wheel bearings



속경(d) mm	품명	정격하중		D	B
		동하중 C _r (kN)	정하중 C ₀ (kN)		
88	PRB 88/170x95	384	908	170	95
	PRB 93/170x95	384	908	170	95
93	PRB 93/170x95	384	908	170	95
	PRB 93/171x95	384	908	171	95
110	PRB 110/200x90	414	841	200	90
	PRB 110/210x110	479	942	210	110
	PRB 110/300x87/133	604	1022	300	87/133
120	PRB 120/190 x 130	580	1570	190	130
	PRB 120/210 x 113.8	584	1268	210	113.8
	PRB 120/210 x 114	584	1268	210	114
128.665	PRB 128.665/210 x 101.6	393	1132	210	101.6
	PRB 128.665/210 x 114	463	1395	210	114
130	PRB 130/210 x 132	529	1659	210	132
	PRB 130/250 x 132	899	1664	250	132
140	PRB 140/250 x 114	769	1601	250	132
	PRB 140/250 x 130	899	1957	250	130

Reference List



HKT PRB series
(Pressure Roller
Bearings)

COUNTRY	CUSTOMER	DESCRIPTION
INDIA	Essar Steel	PRB 88/170X95
	Essar Steel	PRB 93/170X96
	Essar Steel-Visak	PRB 140/250X114
	Essar Steel-VSP	PRB 150/320X120
	Lurgi-India	PRB 93/171X95
	Lurgi-Gambia	PRB 93/171X95
	TATA Steel-JMD	PRB 110/210X110
	TATA Steel-JMD	PRB 140/250X114
	JSW-Bellary	PRB 110/210X114
	JSW-Bellary	PRB 120/210X114
	POSCOENC-India	PRB 110/210X110
BRAZIL	CVRD	PRB 140/125X114
	Lurgil-Brazil	PRB 140/125x114
CANADA	CSP(Cast Steel Product)	PRB 128.61/210X114-IRTS-ORSLR(CSP 128)
		PRB 128.61/215.14X130(CSP 128-Q)
		PRB 128.61/214X154-IRTS-TR1143(CSP 155)

Reference List



**HKT PRB
(Pressure Roller Bearings)**

COUNTRY	CUSTOMER	DESCRIPTION
IRAN	Tavazon	PRB 110/210X110
	Tavazon	PRB 140/250X114
	Akdal Ruolman	PRB 110/210X110
	POSCOENC-Iran	PRB 110/210X110
	Azaran-MSK	PRB 140/250X114
	Azaran-IMIDOR	PRB 140/250X114
TAIWAN	CSC(China steel)	PRB 128.665/210X114
	CSC(China steel)	PRB 140/250X130LR
	TAIBEC	PRB 130/210X132
	TMK	PRB 140/250X130LR
GERMANY	Outotec	PRB 140/250x114
KOREA	POSCO	PRB 110/200X90
	POSCO	PRB 110/210X110
	POSCO	PRB 110/210X110
	POSCO	PRB 110/200X90
	Samyoung M-Tek	PRB 110/210X125

HKT VALUED CUSTOMERS

Outotec

ESSAR
STEEL

LURGI

TATA STEEL

JSW

CHINA STEEL

qop

مجمع فولاد مبارکه
Mobarakeh Steel Company

posco
E&C-INDIA

C.V.R.D

CS CAST STEEL
PRODUCTS
Innovative Engineering

posco

ESCO
Esfahan Steel Company

Tavazon project

AKDAL RULMAN

IMIDRO
IRANIAN MINES AND MINING INDUSTRIES DEVELOPMENT
AND RENOVATION ORGANIZATION
سازمان توسعه و ترمیمی معادن و صنایع معدنی ایران

SAMYOUNG M-TEK

TAIBEC

TMK

HKT Pallet car bearings for sinter & pellet plants_160625

Thank you !



HKT BEARINGS LIMITED

162B-3L NAMDONG INDUSTRIAL COMPLEX 736-6,
GOJAN-DONG, NAMDONG-GU, INCHEON, KOREA
TEL: +82-32-822-7607
FAX: +82-32-865-9164
E-mail: hktbrg01@chol.com
Website: www.hktbearings.com

@Manufacturer : HKT Tech. Sales Dept. Kim, Il-Ho